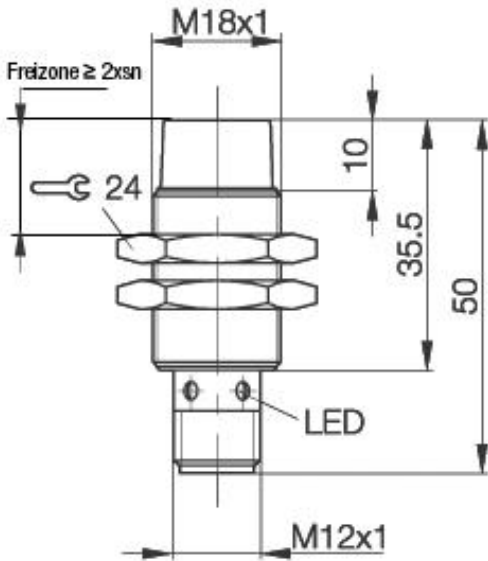


Inductive Sensors
BES M18MD-PSC12E-S04G-W
M18x1 x50
normally-open
Sn=12mm
unshielded
Factor 1, magnetic field-immune, weld immune



PX1666

Common Data

Mounting in steel	unshielded
Rated operating distance Sn	12mm
Assured operating distance Sa	0...9.7mm
Repeatability R	≤ 5%
Hysteresis	≤15%
Function indication	yes
Ambient temperature range	-25...+70°C
Pollution Degree	3
Time delay before availability	≤ 15ms
Particular characteristics	Factor 1, magnetic field-immune, weld immune

Mechanical Data

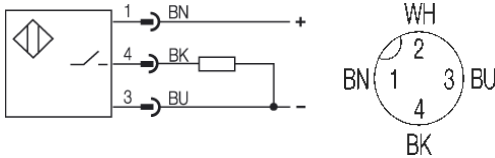
Measurements BxHxT or DxT	M18x1 x50mm
Housing material	CuZn, PTFE coated
Material of sensing face	LCP + PTFE
Degree of protection	IP67IP
Connection	Connector S4 (M12)
Schock: Halbsinus, 30 gn, 11ms	
Vibration: 55 Hz, 1mm Amplitude, 3 x 30 Minutes	

Electrical Data

Current type	DC
Wiring	3-Wire
switching function	normally-open
Output signal	PNP
Rated operational voltage	24 DCV
Rated operational current	200mA
Supply voltage	10...30 DCV
max. switching frequency	2500Hz
Minimum operational current	0mA
No-load supply current	≤15/≤ 10mA
Off-state current	≤ 80µA
Voltage drop	≤ 2.5/-V
Short circuit protection	yes
Protected against polarity reversal	yes

Remarks

When overload is removed, sensor resumes function, Magnetic field immune up to 100kA/m



Utilization categories DC 13
 Insulation class

Datasheet number:

Definitions see general catalog.
 If not otherwise noted, ratings according to IEC 60947-5-2 (DIN EN60947-5-2)

Balluff GmbH
 Schurwaldstrasse 9
 73765 Neuhausen a.d.F.
 Phone (07158) 173-0 Fax (07158) 5010

Datenblatt by CD-ROM - 04/2007

